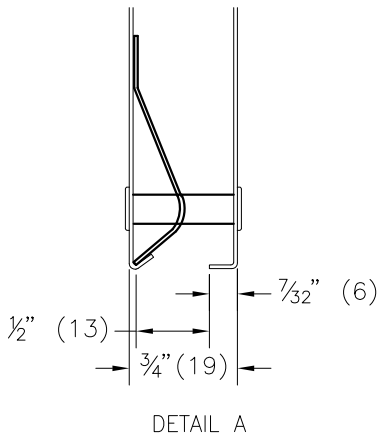
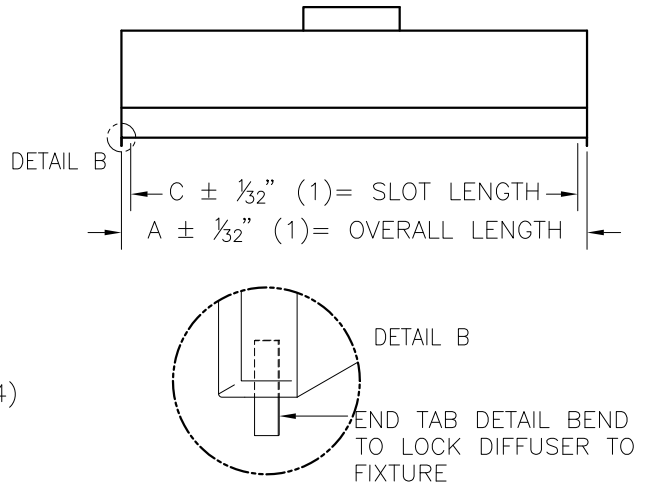
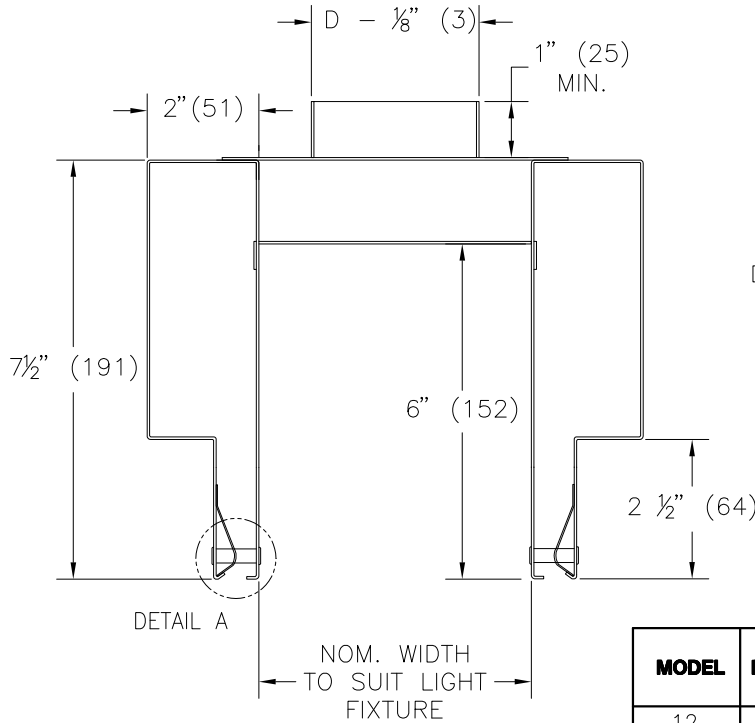


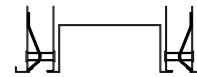
MODEL LTF LIGHT TROFFER



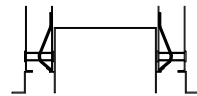
MODEL	NOM. WIDTH	INLET SIZE	IMPERIAL UNITS		SI UNITS	
		D	A	C	A	C
12	12"	5,6,7,8	17	16 1/4	432	413
13	12"	5,6,7,8	25 1/4	24 1/2	641	622
14	12"	5,6,7,8	41 3/4	41	1061	1041
22	24"	5,6,7,8	17	16 1/4	432	413
23	24"	5,6,7,8	25 1/4	24 1/2	641	622
24	24"	5,6,7,8	41 3/4	41	1061	1041
33	36"	5,6,7,8	25 1/4	24 1/2	641	622
44	48"	5,6,7,8	41 3/4	41	1061	1041

PATTERN:

STANDARD FOR USE WITH FLUSH FIXTURE



RL - REVERSE LIP FOR USE WITH REGRESSED SLOT FIXTURE



NOTES:

- END TABS ARE STANDARD
- FACTORY TOLERANCE: $\pm 1/32$ " (1)

MATERIAL: COATED STEEL

FINISH: MILL FINISH (STANDARD)

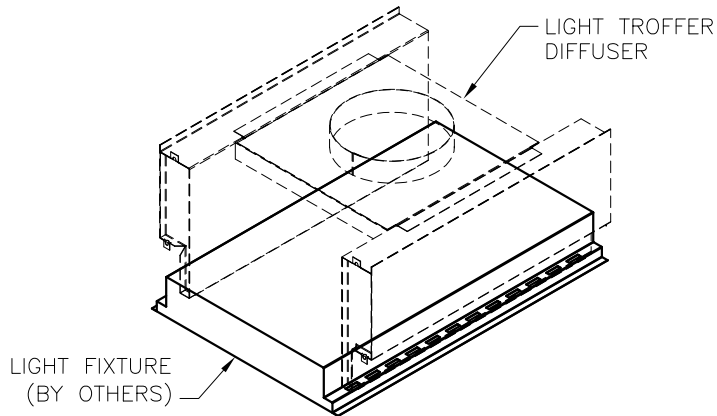
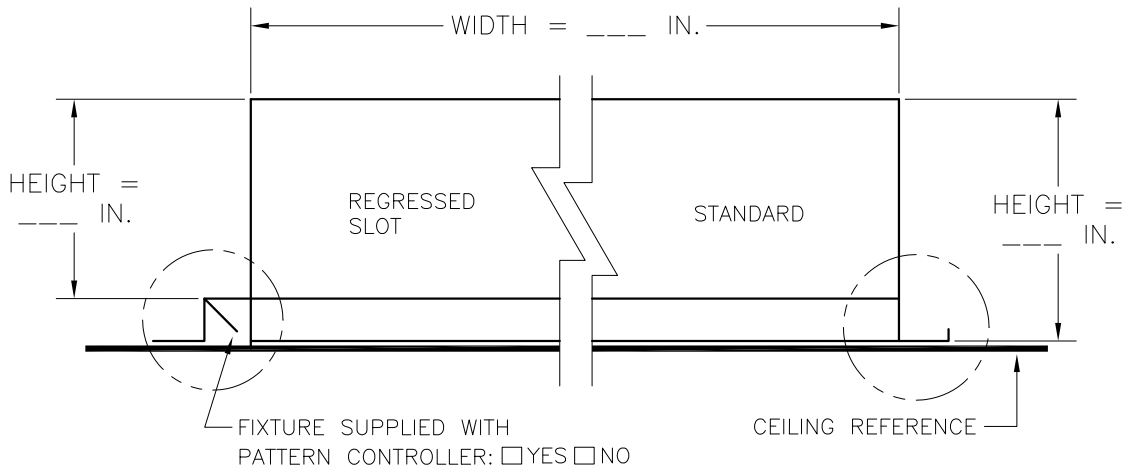
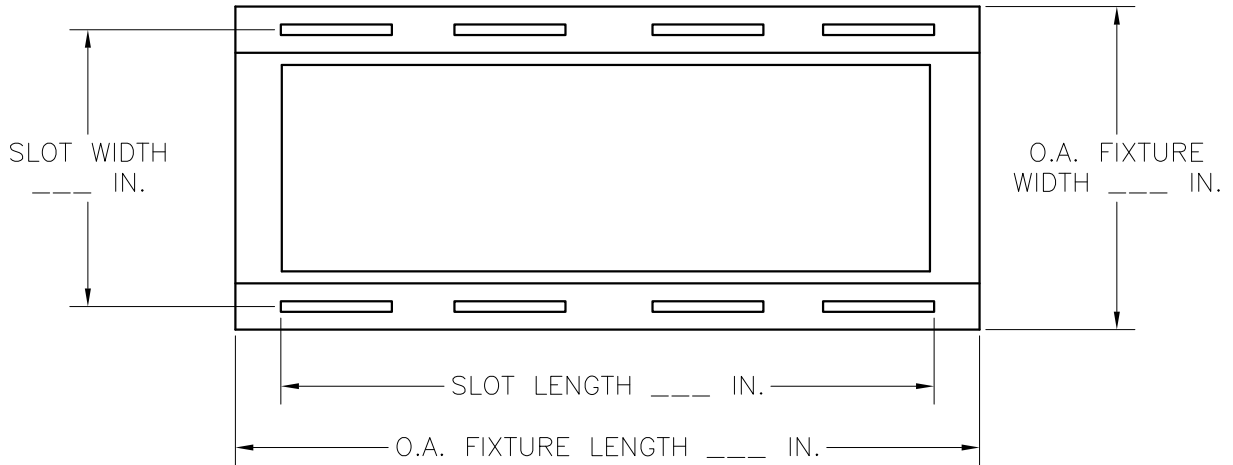
OPTIONS:

- UNITS SHIPPED KNOCKED DOWN FOR FIELD ASSEMBLY (KD)
- EXTERNAL FOIL-BACKED INSULATION (AFI)
- BLACK FACE SLOT (BFS)

ALL METRIC DIMENSIONS () ARE SOFT CONVERTED. IMPERIAL DIMENSIONS ARE CONVERTED TO METRIC AND ROUNDED TO THE NEAREST MILLIMETER.

PROJECT:		PRICE [®]	
ENGINEER:		<i>MJ</i>	LTF LIGHT TROFFER FIXED PATTERN CONTROLLER
CUSTOMER:		223854	
SUBMITTAL DATE:	SPEC. SYMBOL:	2014/10/01	

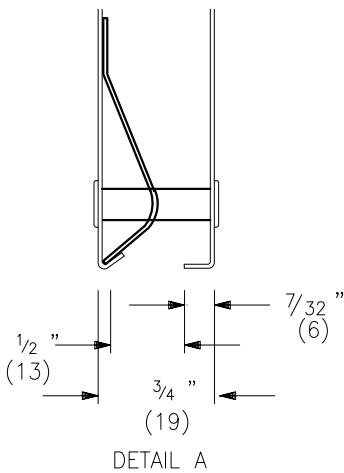
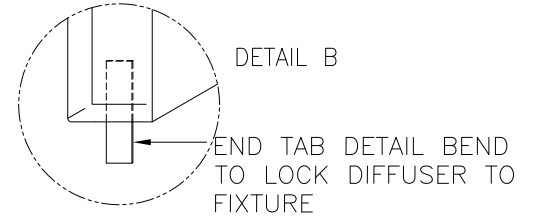
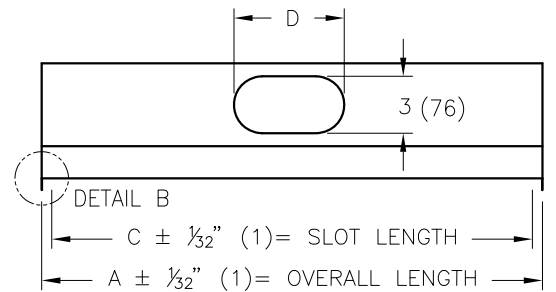
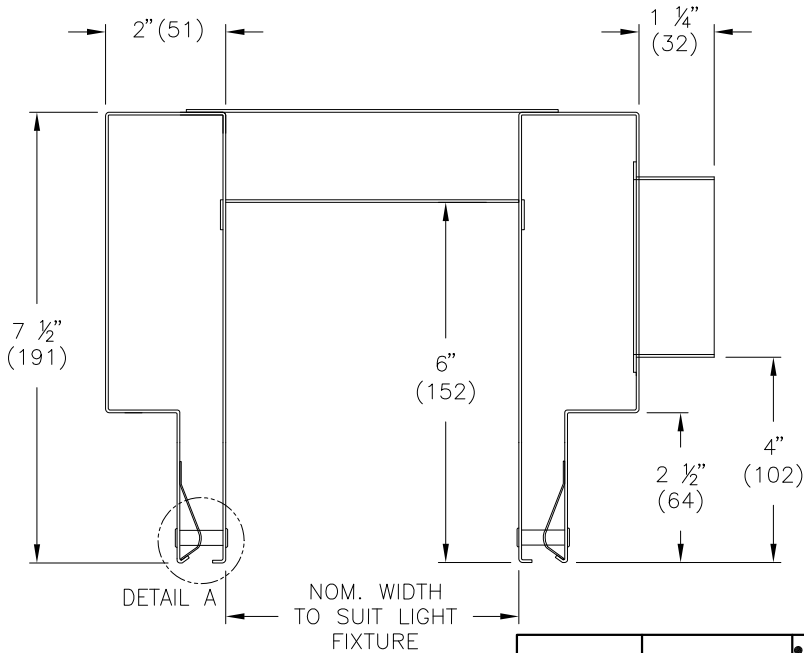
PHYSICAL DIMENSIONS OF LIGHT FIXTURE REQUIRED.



ALL METRIC DIMENSIONS () ARE SOFT CONVERTED. IMPERIAL DIMENSIONS ARE CONVERTED TO METRIC AND ROUNDED TO THE NEAREST MILLIMETER.

PROJECT:		PRICE [®]	
ENGINEER:		<i>MJ</i>	LTF LIGHT TROFFER FIXED PATTERN CONTROLLER
CUSTOMER:		223854	
SUBMITTAL DATE:	SPEC. SYMBOL:	2014/10/01	REV C

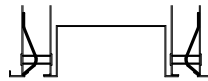
MODEL LTFLP LIGHT TROFFER



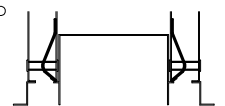
MODEL	NOM. WIDTH	*NOM. ROUND INLET SIZE	IMPERIAL UNITS		SI UNITS	
			A	C	A	C
12LP	12"	5,6,7	17	16 1/4	432	413
13LP	12"	5,6,7	25 1/4	24 1/2	641	622
14LP	12"	5,6,7	41 3/4	41	1061	1041
22LP	24"	5,6,7	17	16 1/4	432	413
23LP	24"	5,6,7	25 1/4	24 1/2	641	622
24LP	24"	5,6,7	41 3/4	41	1061	1041
33LP	36"	5,6,7	25 1/4	24 1/2	641	622
44LP	48"	5,6,7	41 3/4	41	1061	1041

PATTERN:

STANDARD FOR USE WITH FLUSH FIXTURE



RL - REVERSE LIP FOR USE WITH REGRESSED SLOT FIXTURE



NOTES:

- END TABS ARE STANDARD
- FACTORY TOLERANCE: $\pm 1/32"$ (1)
- ROUND EQUIVALENT FOR OVAL INLET

ROUND	OVAL(3xD)	OVAL(76xD)
5	3x6	76x127
6	3x7.56	76x152
7	3x9.125	76x178

MATERIAL: COATED STEEL

FINISH: MILL FINISH (STANDARD)

OPTIONS:

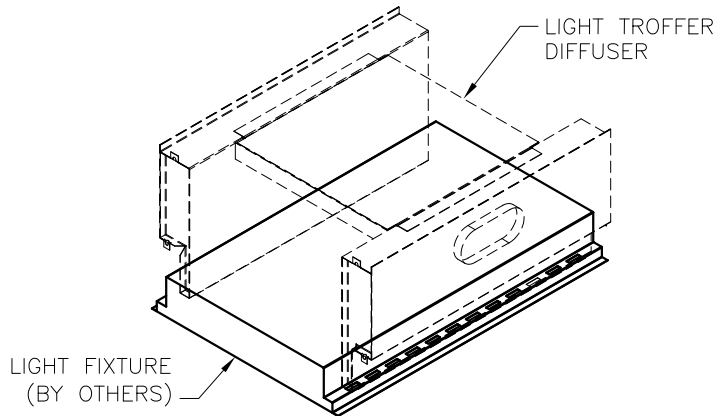
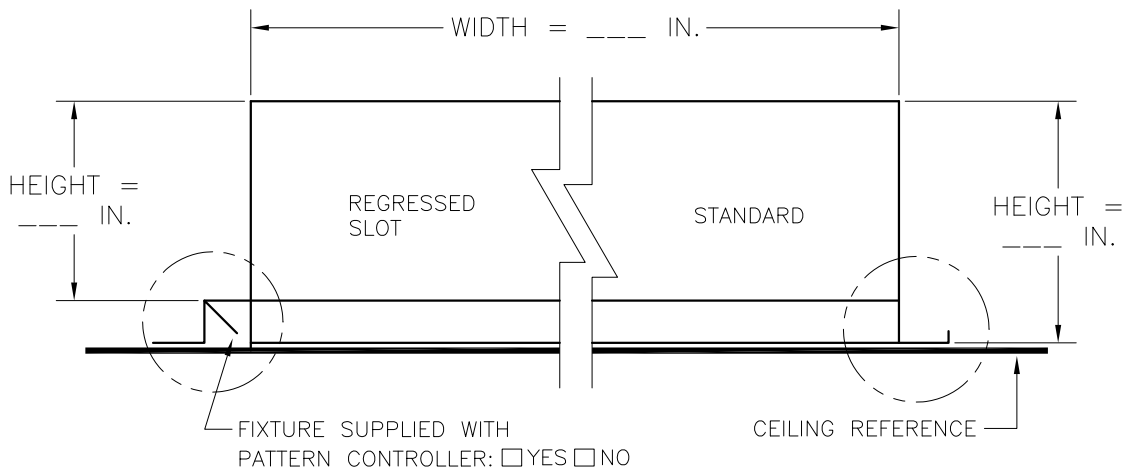
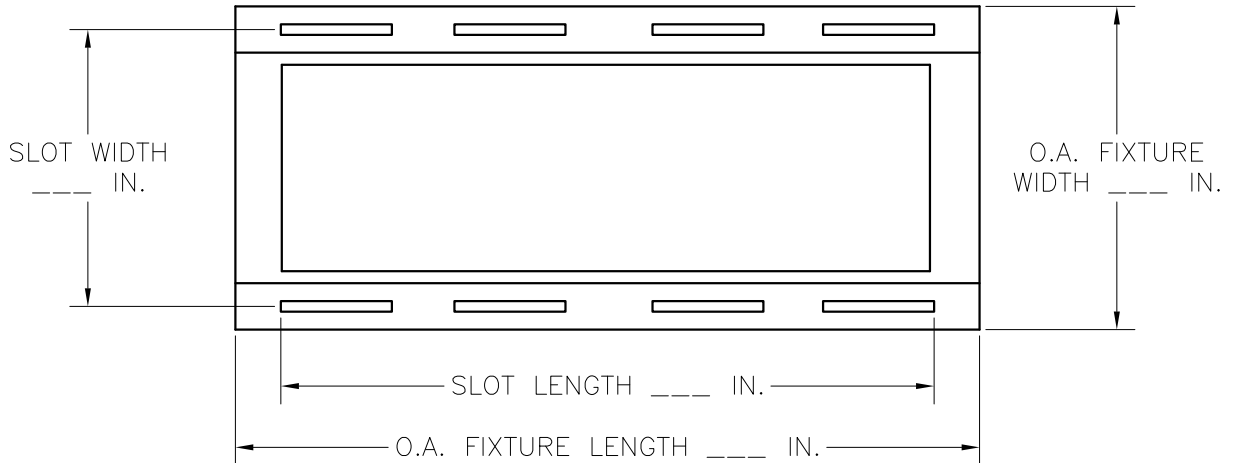
- UNITS SHIPPED KNOCKED DOWN FOR FIELD ASSEMBLY (KD)
- EXTERNAL FOIL-BACKED INSULATION (AFI)
- BLACK FACE SLOT (BFS)

<input type="checkbox"/> ADJUSTABLE CROSSOVER
<input type="checkbox"/> 8-13 (SELECT 14LP ONLY)
<input type="checkbox"/> 13-23 (SELECT 22LP, 23LP & 24LP ONLY)
<input type="checkbox"/> 23-39 (SELECT 33LP & 44LP ONLY)

ALL METRIC DIMENSIONS () ARE SOFT CONVERTED. IMPERIAL DIMENSIONS ARE CONVERTED TO METRIC AND ROUNDED TO THE NEAREST MILLIMETER.

PROJECT:		PRICE®	
ENGINEER:		 223855	LTFLP LIGHT TROFFER FIXED PATTERN CONTROLLER LOW PROFILE
CUSTOMER:			
SUBMITTAL DATE:	SPEC. SYMBOL:	2014/10/01	

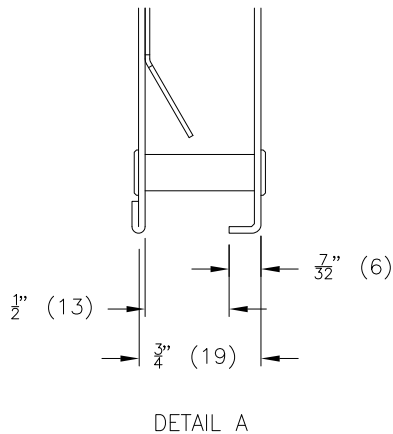
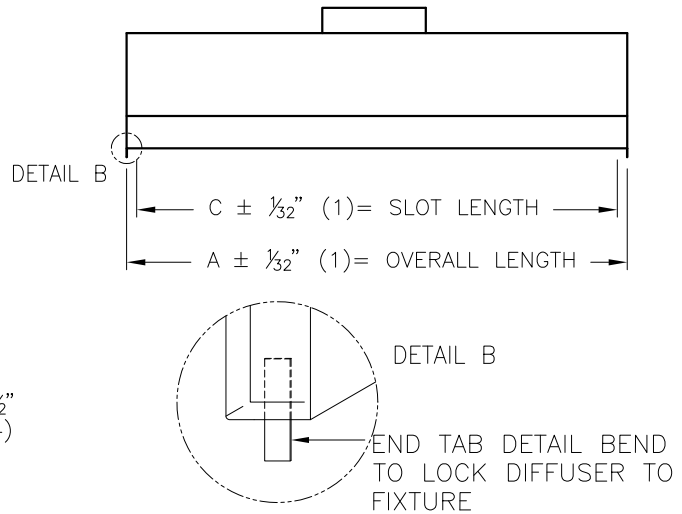
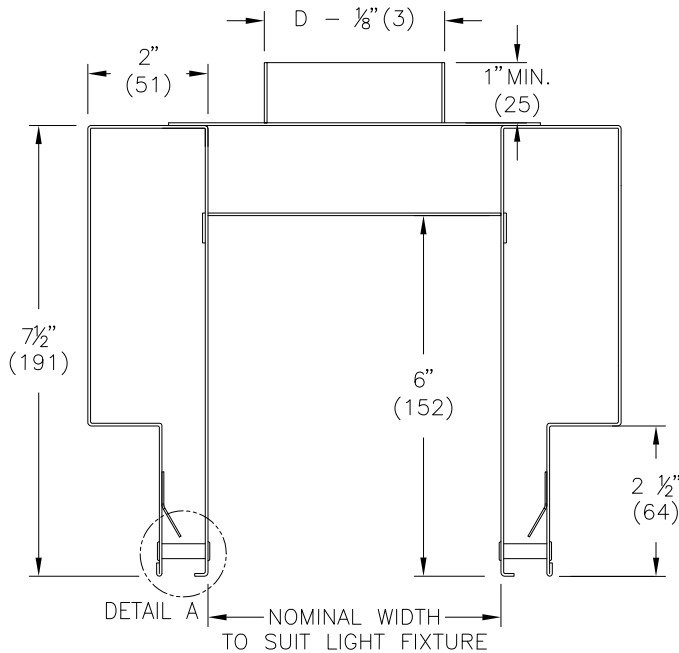
PHYSICAL DIMENSIONS OF LIGHT FIXTURE REQUIRED.



ALL METRIC DIMENSIONS () ARE SOFT CONVERTED. IMPERIAL DIMENSIONS ARE CONVERTED TO METRIC AND ROUNDED TO THE NEAREST MILLIMETER.

PROJECT:		PRICE [®]	
ENGINEER:		 223855	LTFLP LIGHT TROFFER FIXED PATTERN CONTROLLER LOW PROFILE
CUSTOMER:			
SUBMITTAL DATE:	SPEC. SYMBOL:	2014/10/01	

MODEL LTA LIGHT TROFFER



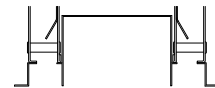
MODEL	NOM. WIDTH	INLET SIZE	IMPERIAL UNITS		SI UNITS	
		D	A	C	A	C
12	12"	5,6,7,8	17	16 1/4	432	413
13	12"	5,6,7,8	25 1/4	24 1/2	641	622
14	12"	5,6,7,8	41 3/4	41	1061	1041
22	24"	5,6,7,8	17	16 1/4	432	413
23	24"	5,6,7,8	25 1/4	24 1/2	641	622
24	24"	5,6,7,8	41 3/4	41	1061	1041
33	36"	5,6,7,8	25 1/4	24 1/2	641	622
44	48"	5,6,7,8	41 3/4	41	1061	1041

PATTERN:

STANDARD
FOR USE WITH
FLUSH FIXTURE



RL – REVERSE LIP
FOR USE WITH
REGRESSED SLOT
FIXTURE



OPTIONS:

- UNITS SHIPPED KNOCKED DOWN FOR FIELD ASSEMBLY (KD)
- EXTERNAL FOIL-BACKED INSULATION (AFI)
- BLACK FACE SLOT (BFS)

NOTES:

- ADJUSTABLE PATTERN CONTROLLERS
- END TABS ARE STANDARD
- FACTORY TOLERANCE: $\pm 1/32$ " (1)

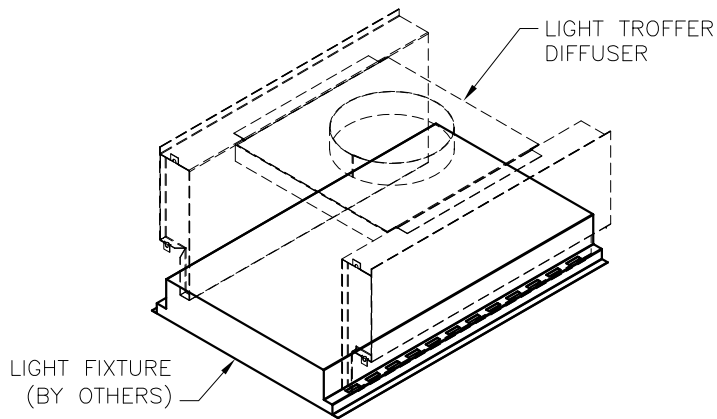
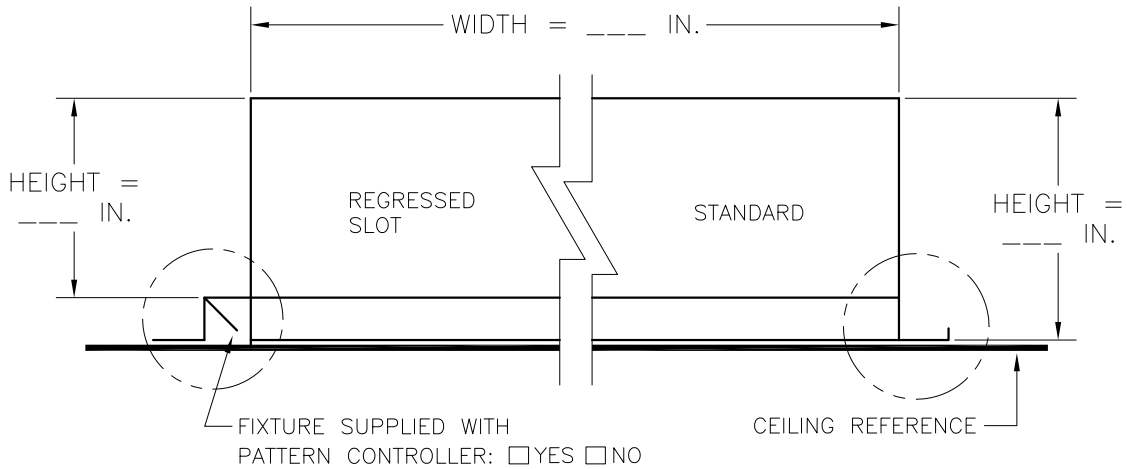
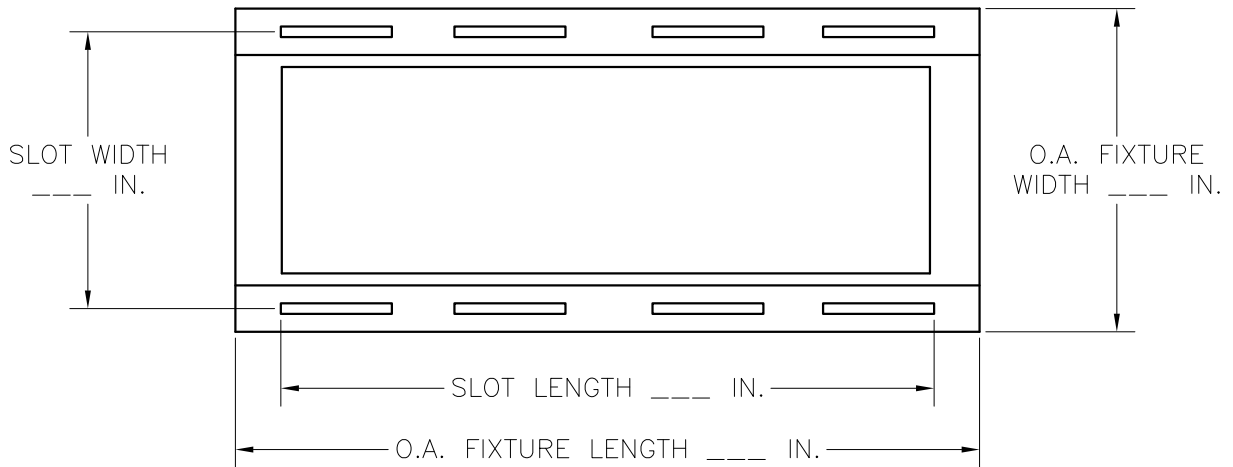
MATERIAL: COATED STEEL

FINISH: MILL FINISH (STANDARD)

ALL METRIC DIMENSIONS () ARE SOFT CONVERTED. IMPERIAL DIMENSIONS ARE CONVERTED TO METRIC AND ROUNDED TO THE NEAREST MILLIMETER.

PROJECT:		PRICE [®]	
ENGINEER:		<i>MG</i>	LTA LIGHT TROFFER ADJUSTABLE PATTERN CONTROLLER
CUSTOMER:		223856	
SUBMITTAL DATE:	SPEC. SYMBOL:	2014/10/01	

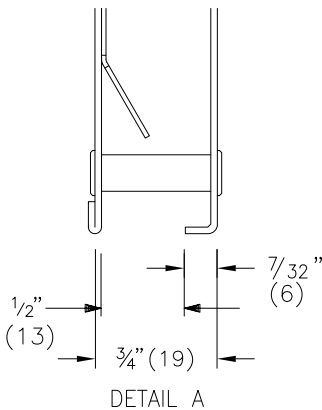
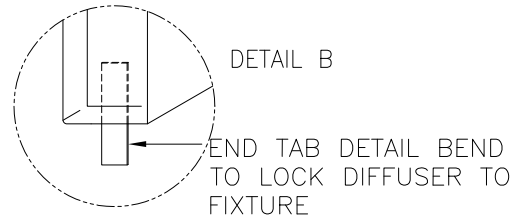
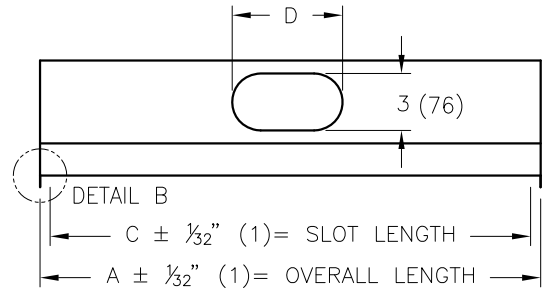
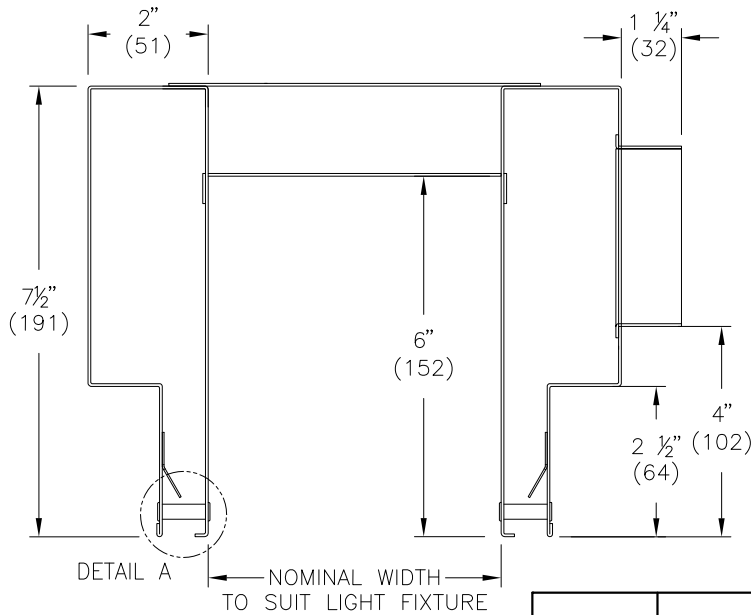
PHYSICAL DIMENSIONS OF LIGHT FIXTURE REQUIRED.



ALL METRIC DIMENSIONS () ARE SOFT CONVERTED. IMPERIAL DIMENSIONS ARE CONVERTED TO METRIC AND ROUNDED TO THE NEAREST MILLIMETER.

PROJECT:		PRICE [®]	
ENGINEER:		<i>MG</i> 223856	LTA LIGHT TROFFER ADJUSTABLE PATTERN CONTROLLER
CUSTOMER:			
SUBMITTAL DATE:	SPEC. SYMBOL:	2014/10/01	

MODEL LTALP LIGHT TROFFER



MODEL	NOM. WIDTH	NOM. ROUND INLET SIZE	IMPERIAL UNITS		SI UNITS	
			A	C	A	C
12LP	12"	5,6,7	17	16 1/4	432	413
13LP	12"	5,6,7	25 1/4	24 1/2	641	622
14LP	12"	5,6,7	41 3/4	41	1061	1041
22LP	24"	5,6,7	17	16 1/4	432	413
23LP	24"	5,6,7	25 1/4	24 1/2	641	622
24LP	24"	5,6,7	41 3/4	41	1061	1041
33LP	36"	5,6,7	25 1/4	24 1/2	641	622
44LP	48"	5,6,7	41 3/4	41	1061	1041

PATTERN:

STANDARD FOR USE WITH FLUSH FIXTURE



RL – REVERSE LIP FOR USE WITH REGRESSED SLOT FIXTURE



NOTES:

- ADJUSTABLE PATTERN CONTROLLERS
- END TABS ARE STANDARD
- FACTORY TOLERANCE: $\pm 1/32"$ (1)
- ROUND EQUIVALENT FOR OVAL INLET

ROUND	OVAL (3xD)	OVAL (76xD)
5	3x6	76x127
6	3x7.56	76x152
7	3x9.125	76x178

MATERIAL: COATED STEEL

FINISH: MILL FINISH (STANDARD)

OPTIONS:

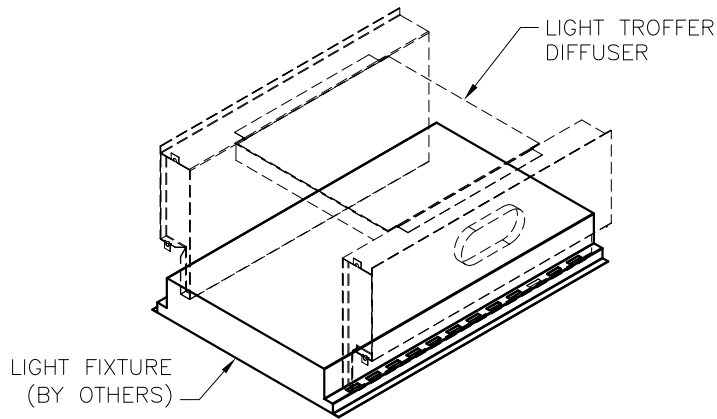
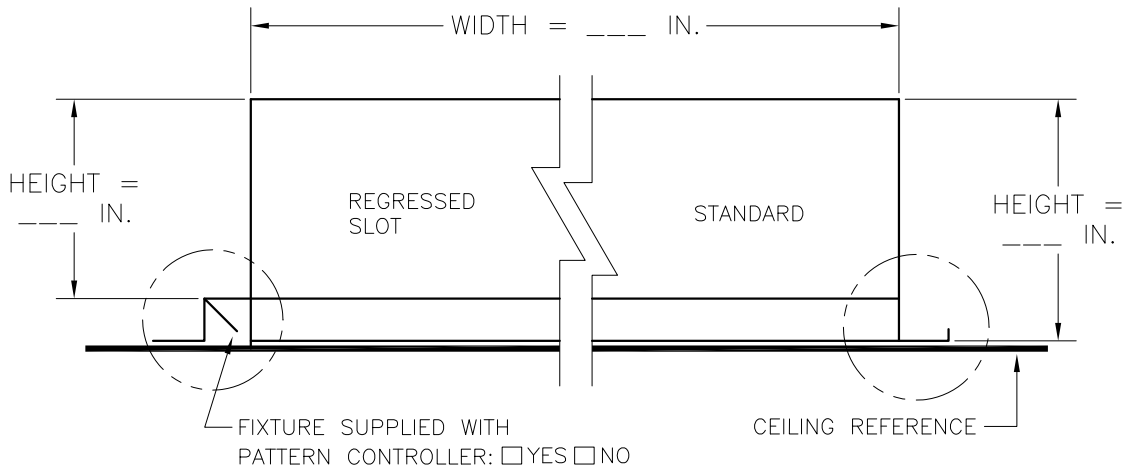
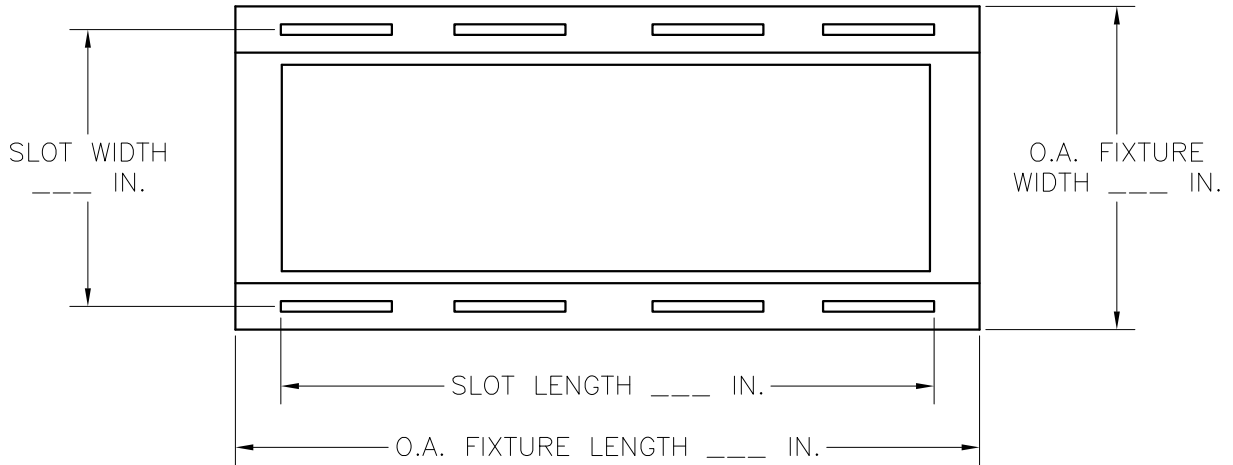
- UNITS SHIPPED KNOCKED DOWN FOR FIELD ASSEMBLY (KD)
- EXTERNAL FOIL-BACKED INSULATION (AFI)
- BLACK FACE SLOT (BFS)
- ADJUSTABLE CROSSOVER

<input type="checkbox"/> 8-13 (SELECT 14LP ONLY)
<input type="checkbox"/> 13-23 (SELECT 22LP, 23LP & 24LP ONLY)
<input type="checkbox"/> 23-39 (SELECT 33LP & 44LP ONLY)

ALL METRIC DIMENSIONS () ARE SOFT CONVERTED. IMPERIAL DIMENSIONS ARE CONVERTED TO METRIC AND ROUNDED TO THE NEAREST MILLIMETER.

PROJECT:		PRICE [®]	
ENGINEER:			LTALP LIGHT TROFFER ADJUSTABLE PATTERN CONTROLLER LOW PROFILE
CUSTOMER:		223857	
SUBMITTAL DATE:	SPEC. SYMBOL:	2014/10/01	

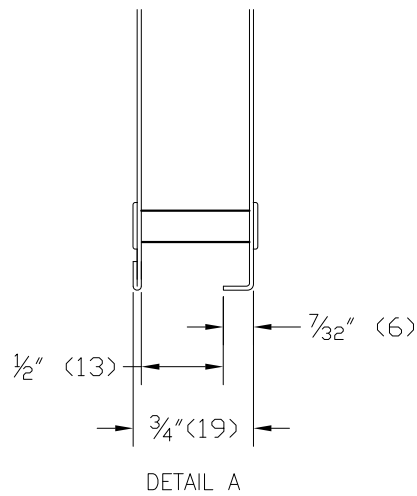
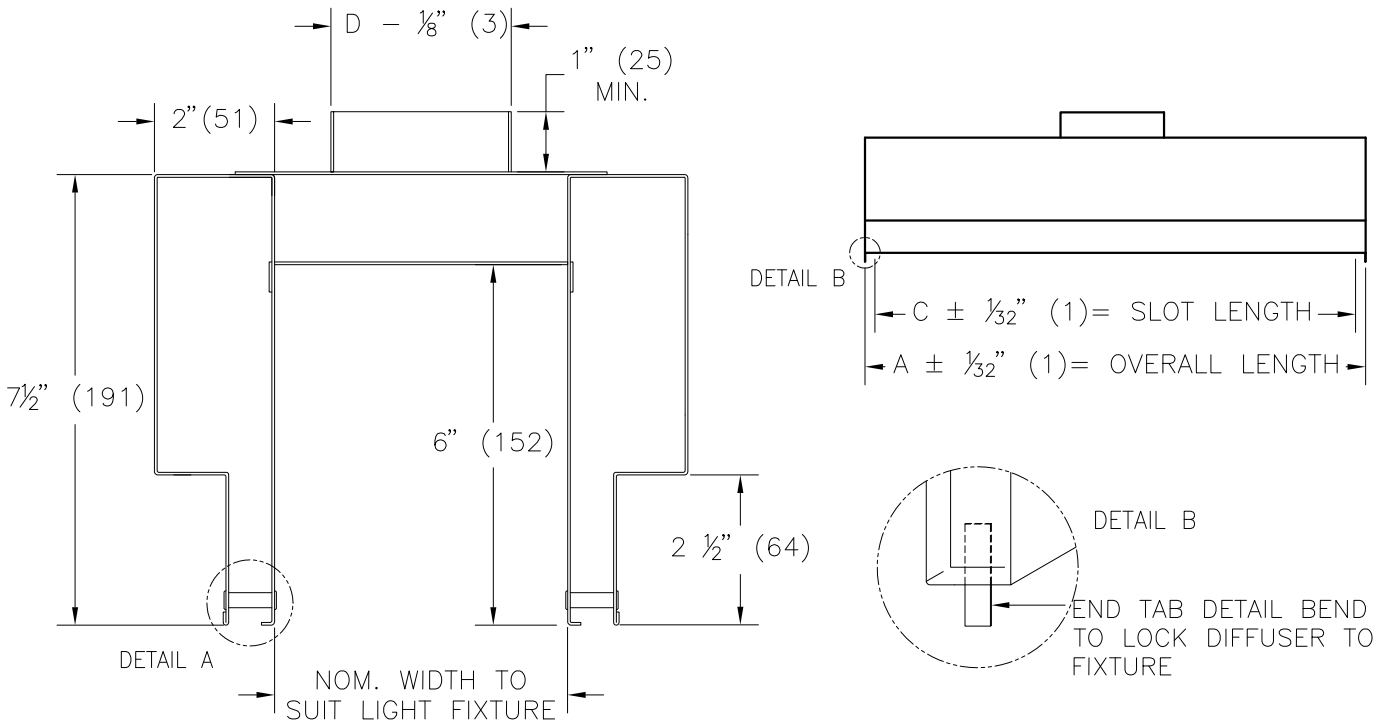
PHYSICAL DIMENSIONS OF LIGHT FIXTURE REQUIRED.



ALL METRIC DIMENSIONS () ARE SOFT CONVERTED. IMPERIAL DIMENSIONS ARE CONVERTED TO METRIC AND ROUNDED TO THE NEAREST MILLIMETER.

PROJECT:		PRICE [®]	
ENGINEER:		<i>MJ</i> 223857	LTALP LIGHT TROFFER ADJUSTABLE PATTERN CONTROLLER LOW PROFILE
CUSTOMER:			
SUBMITTAL DATE:	SPEC. SYMBOL:	2014/10/01	

MODEL LTN LIGHT TROFFER



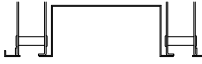

NOTES:

- END TABS ARE STANDARD
- FACTORY TOLERANCE: $\pm 1/32$ " (1)

MATERIAL: COATED STEEL

MODEL	NOM. WIDTH	INLET SIZE	IMPERIAL UNITS		SI UNITS	
		D	A	C	A	C
12	12"	5,6,7,8	17	16 1/4	432	413
13	12"	5,6,7,8	25 1/4	24 1/2	641	622
14	12"	5,6,7,8	41 3/4	41	1061	1041
22	24"	5,6,7,8	17	16 1/4	432	413
23	24"	5,6,7,8	25 1/4	24 1/2	641	622
24	24"	5,6,7,8	41 3/4	41	1061	1041
33	36"	5,6,7,8	25 1/4	24 1/2	641	622
44	48"	5,6,7,8	41 3/4	41	1061	1041

PATTERN:


- STANDARD FOR USE WITH FLUSH FIXTURE 
- RL – REVERSE LIP FOR USE WITH REGRESSED SLOT FIXTURE 

OPTIONS:

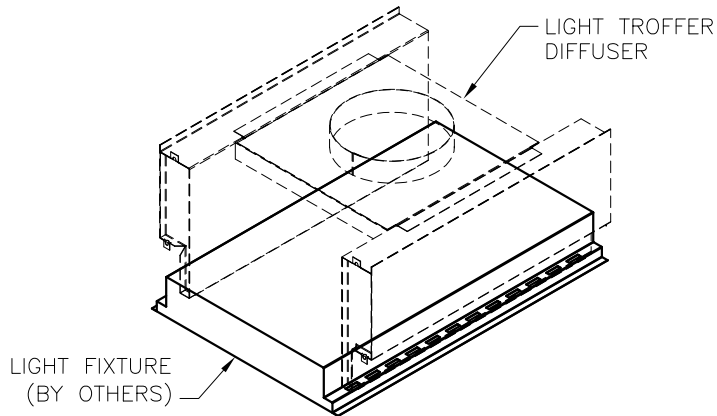
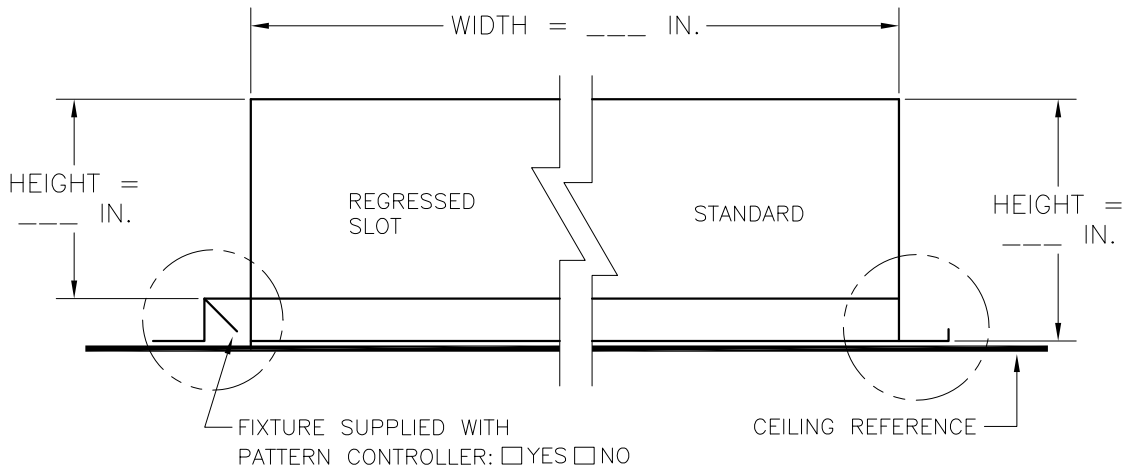
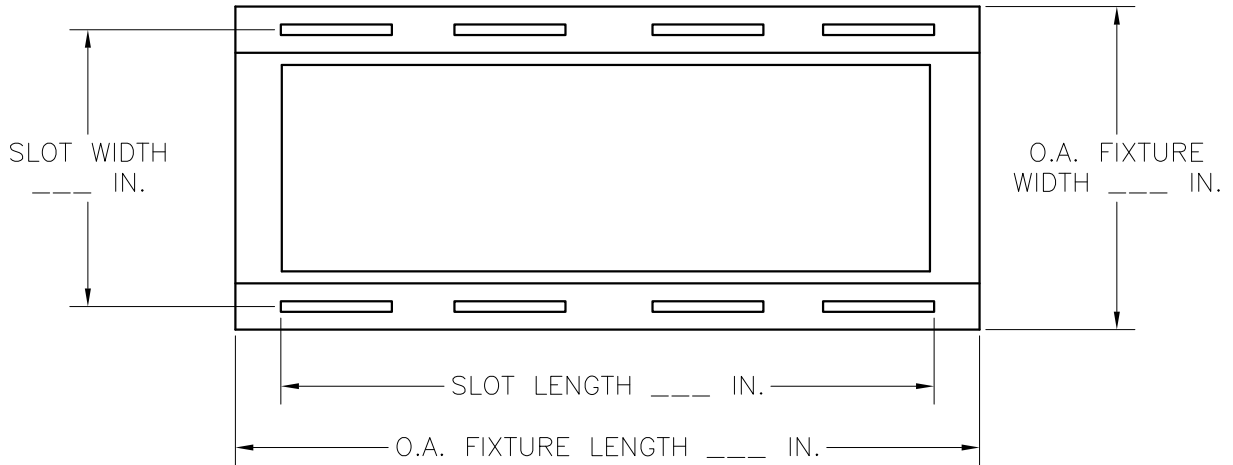
- UNITS SHIPPED KNOCKED DOWN FOR FIELD ASSEMBLY (KD)
- EXTERNAL FOIL-BACKED INSULATION (AFI)
- BLACK FACE SLOT (BFS)

FINISH: MILL FINISH (STANDARD)

ALL METRIC DIMENSIONS () ARE SOFT CONVERTED. IMPERIAL DIMENSIONS ARE CONVERTED TO METRIC AND ROUNDED TO THE NEAREST MILLIMETER.

PROJECT:		PRICE [®]	
ENGINEER:		 223858	LTN LIGHT TROFFER W/O PATTERN CONTROLLER
CUSTOMER:			
SUBMITTAL DATE:	SPEC. SYMBOL:	2014/10/01	REV C

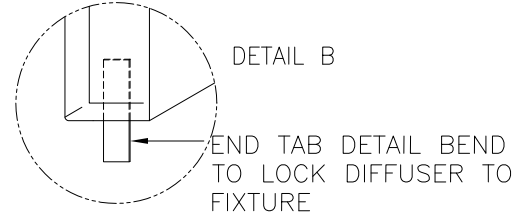
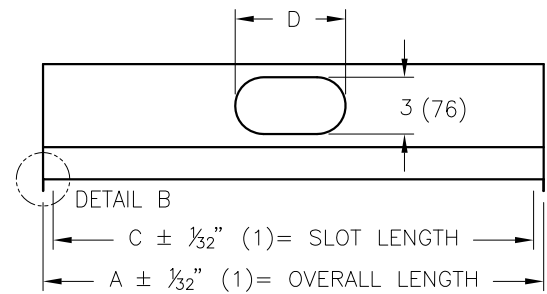
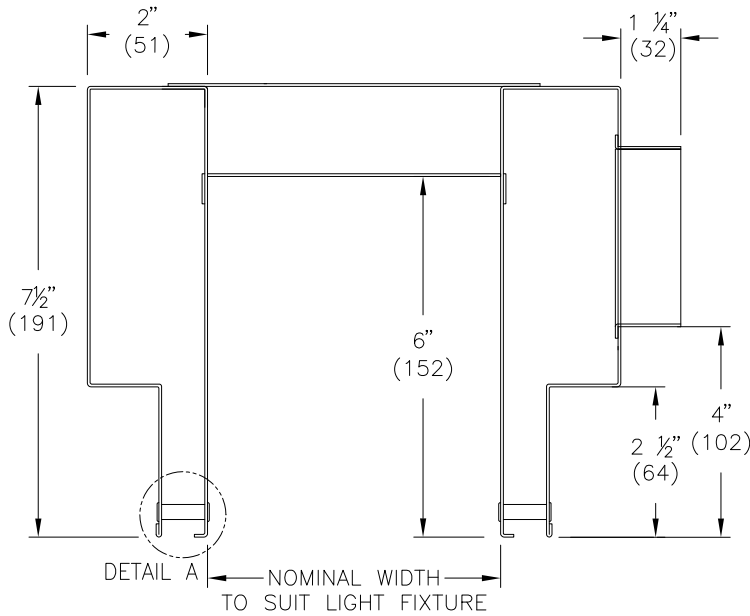
PHYSICAL DIMENSIONS OF LIGHT FIXTURE REQUIRED.



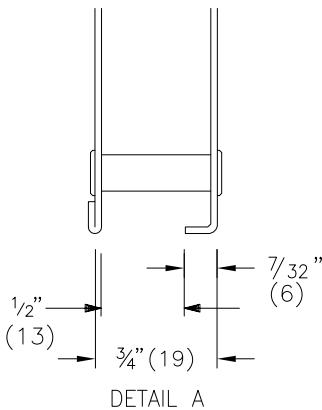
ALL METRIC DIMENSIONS () ARE SOFT CONVERTED. IMPERIAL DIMENSIONS ARE CONVERTED TO METRIC AND ROUNDED TO THE NEAREST MILLIMETER.

PROJECT:		PRICE [®]	
ENGINEER:		<i>MO</i>	LTN LIGHT TROFFER W/O PATTERN CONTROLLER
CUSTOMER:		223858	
SUBMITTAL DATE:	SPEC. SYMBOL:	2014/10/01	

MODEL LTNLP LIGHT TROFFER



MODEL	NOM. WIDTH	NOM. ROUND INLET SIZE	IMPERIAL UNITS		SI UNITS	
			A	C	A	C
12LP	12"	5,6,7	17	16 1/4	432	413
13LP	12"	5,6,7	25 1/4	24 1/2	641	622
14LP	12"	5,6,7	41 3/4	41	1061	1041
22LP	24"	5,6,7	17	16 1/4	432	413
23LP	24"	5,6,7	25 1/4	24 1/2	641	622
24LP	24"	5,6,7	41 3/4	41	1061	1041
33LP	36"	5,6,7	25 1/4	24 1/2	641	622
44LP	48"	5,6,7	41 3/4	41	1061	1041



PATTERN:

STANDARD FOR USE WITH FLUSH FIXTURE



RL - REVERSE LIP FOR USE WITH REGRESSED SLOT FIXTURE



NOTES:

- END TABS ARE STANDARD
- FACTORY TOLERANCE: $\pm 1/32$ " (1)
- ROUND EQUIVALENT FOR OVAL INLET

ROUND	OVAL (3xD)	OVAL (76xD)
5	3x6	76x127
6	3x7.56	76x152
7	3x9.125	76x178

MATERIAL: COATED STEEL

FINISH: MILL FINISH (STANDARD)

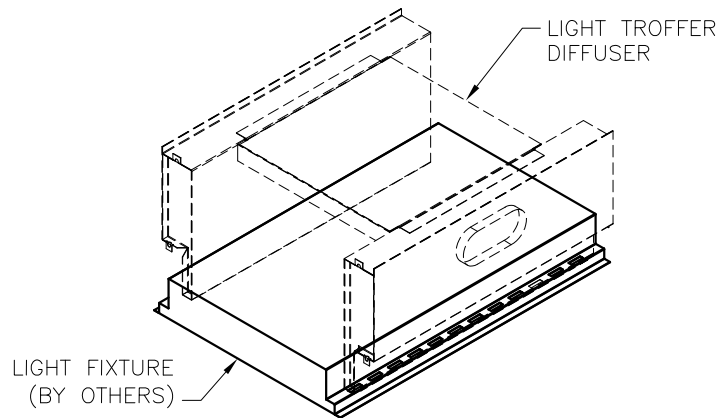
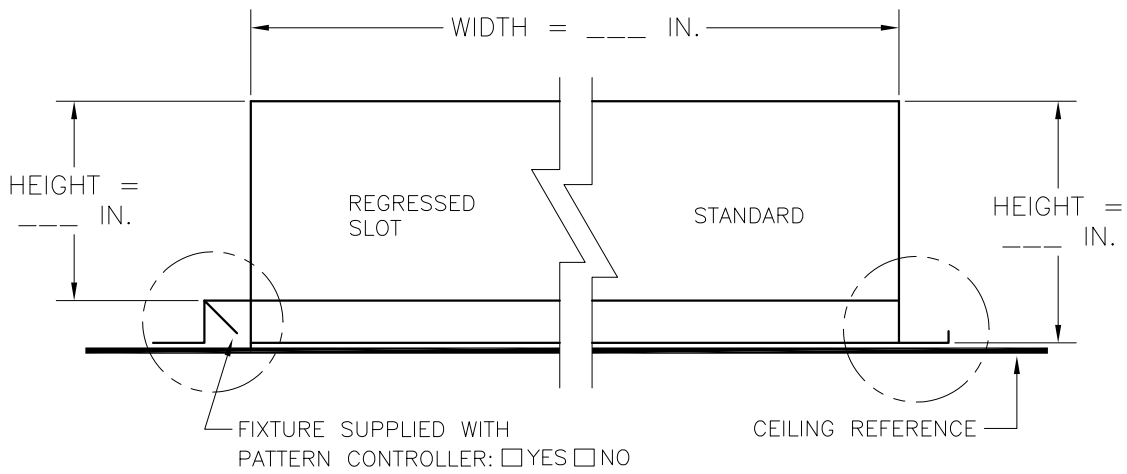
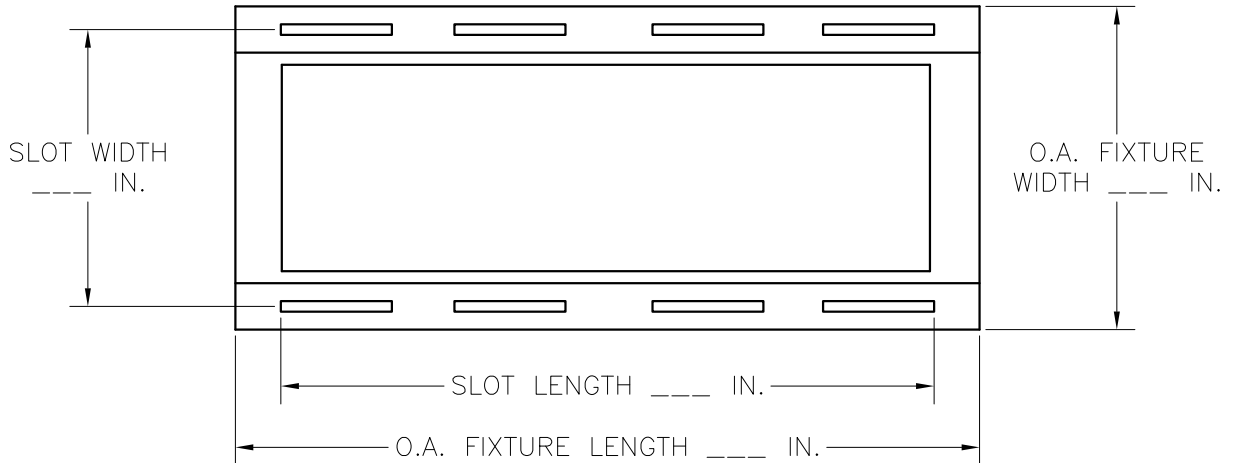
OPTIONS:

- UNITS SHIPPED KNOCKED DOWN FOR FIELD ASSEMBLY (KD)
- EXTERNAL FOIL-BACKED INSULATION (AFI)
- BLACK FACE SLOT (BFS)
- ADJUSTABLE CROSSOVER
 - 8-13 (SELECT 14LP ONLY)
 - 13-23 (SELECT 22LP, 23LP & 24LP ONLY)
 - 23-39 (SELECT 33LP & 44LP ONLY)

ALL METRIC DIMENSIONS () ARE SOFT CONVERTED. IMPERIAL DIMENSIONS ARE CONVERTED TO METRIC AND ROUNDED TO THE NEAREST MILLIMETER.

PROJECT:		PRICE [®]	
ENGINEER:		 223859	LTNLP LIGHT TROFFER W/O PATTERN CONTROLLER LOW PROFILE
CUSTOMER:			
SUBMITTAL DATE:	SPEC. SYMBOL:	2014/10/01	

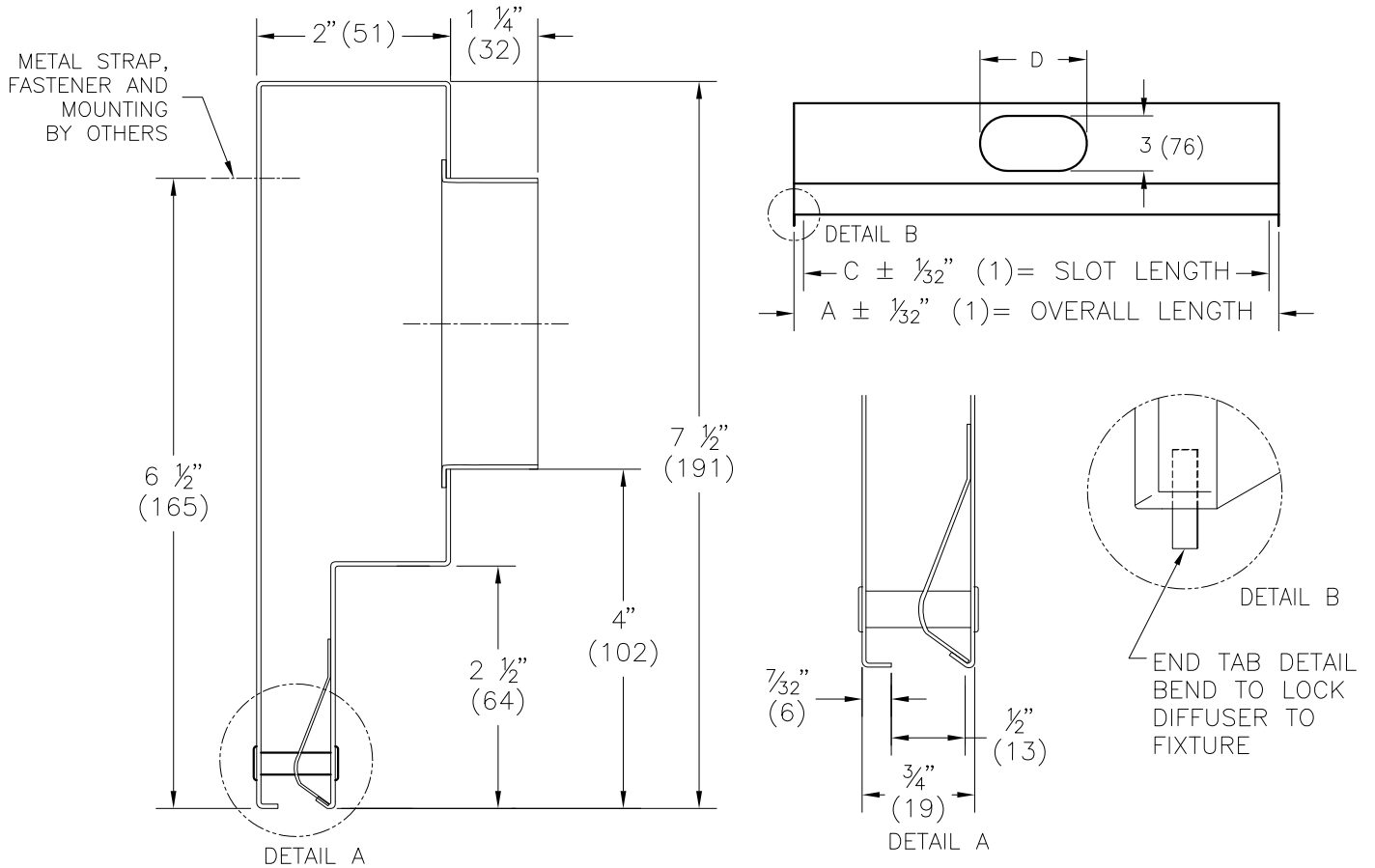
PHYSICAL DIMENSIONS OF LIGHT FIXTURE REQUIRED.



ALL METRIC DIMENSIONS () ARE SOFT CONVERTED. IMPERIAL DIMENSIONS ARE CONVERTED TO METRIC AND ROUNDED TO THE NEAREST MILLIMETER.

PROJECT:		PRICE [®]	
ENGINEER:		<i>MJ</i> 223859	LTNLP LIGHT TROFFER W/O PATTERN CONTROLLER LOW PROFILE
CUSTOMER:			
SUBMITTAL DATE:	SPEC. SYMBOL:	2014/10/01	

MODEL LTF10 LIGHT TROFFER



MODEL	NOM. ROUND INLET SIZE	IMPERIAL UNITS		SI UNITS	
		A	C	A	C
2	5,6,7	17	16 1/4	432	413
3	5,6,7	25 1/4	24 1/2	641	622
4	5,6,7	41 3/4	41	1061	1041

NOTES:

- END TABS ARE STANDARD
- FACTORY TOLERANCE: ± 1/32" (1)
- ROUND EQUIVALENT FOR OVAL INLET

ROUND	OVAL (3xD)	OVAL (76xD)
5	3x6	76x127
6	3x7.56	76x152
7	3x9.125	76x178

MATERIAL: COATED STEEL

PATTERN:

- STANDARD FOR USE WITH FLUSH FIXTURE

- RL - REVERSE LIP FOR USE WITH REGRESSED SLOT FIXTURE

OPTIONS:

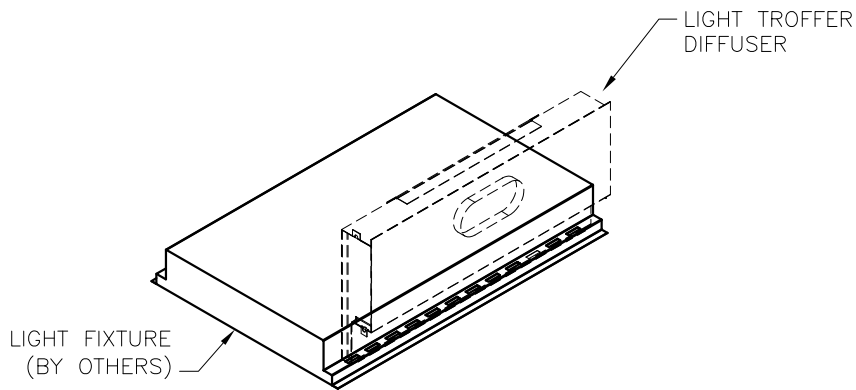
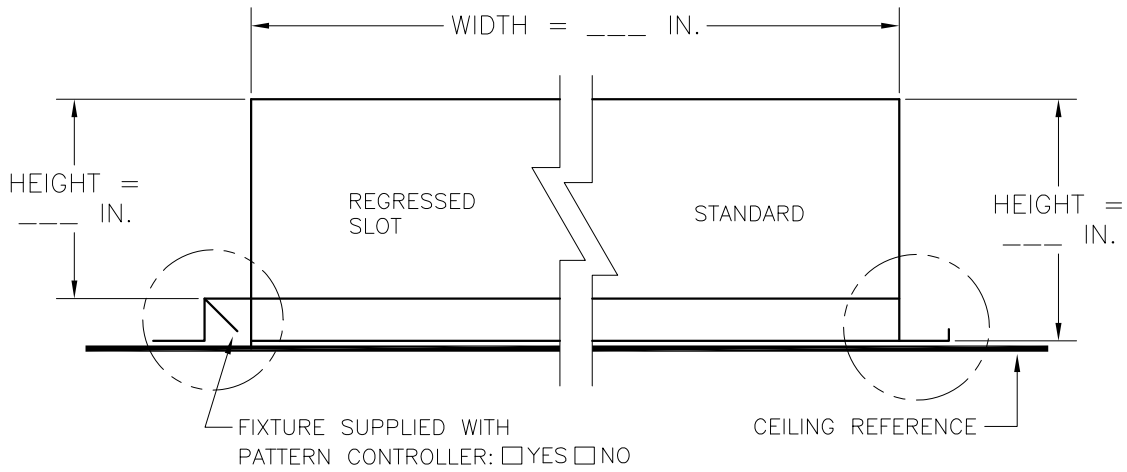
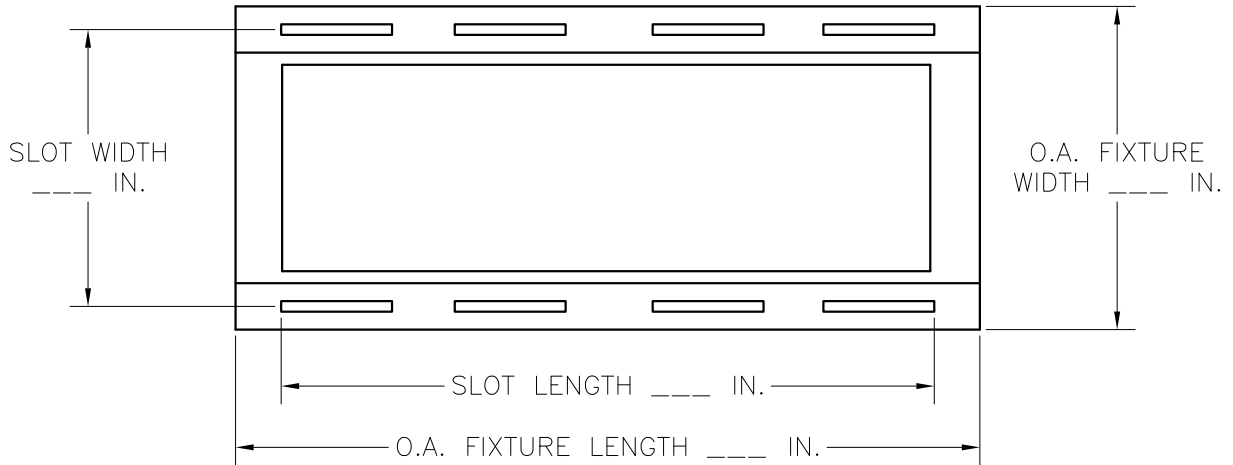
- EXTERNAL FOIL-BACKED INSULATION (AFI)
- BLACK FACE SLOT (BFS)

FINISH: MILL FINISH (STANDARD)

ALL METRIC DIMENSIONS () ARE SOFT CONVERTED. IMPERIAL DIMENSIONS ARE CONVERTED TO METRIC AND ROUNDED TO THE NEAREST MILLIMETER.

PROJECT:		PRICE [®]	
ENGINEER:		 223860	LTF10 LIGHT TROFFER FIXED PATTERN CONTROLLER
CUSTOMER:			
SUBMITTAL DATE:	SPEC. SYMBOL:	2014/10/01	

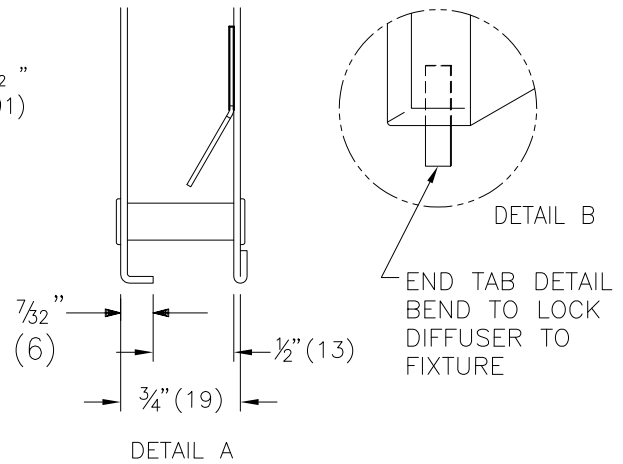
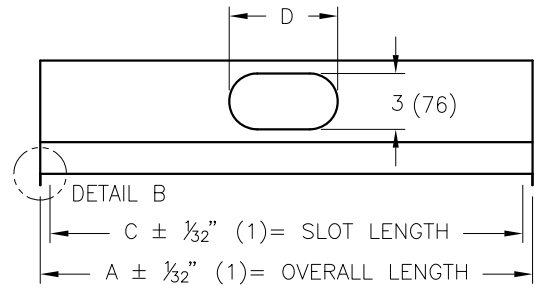
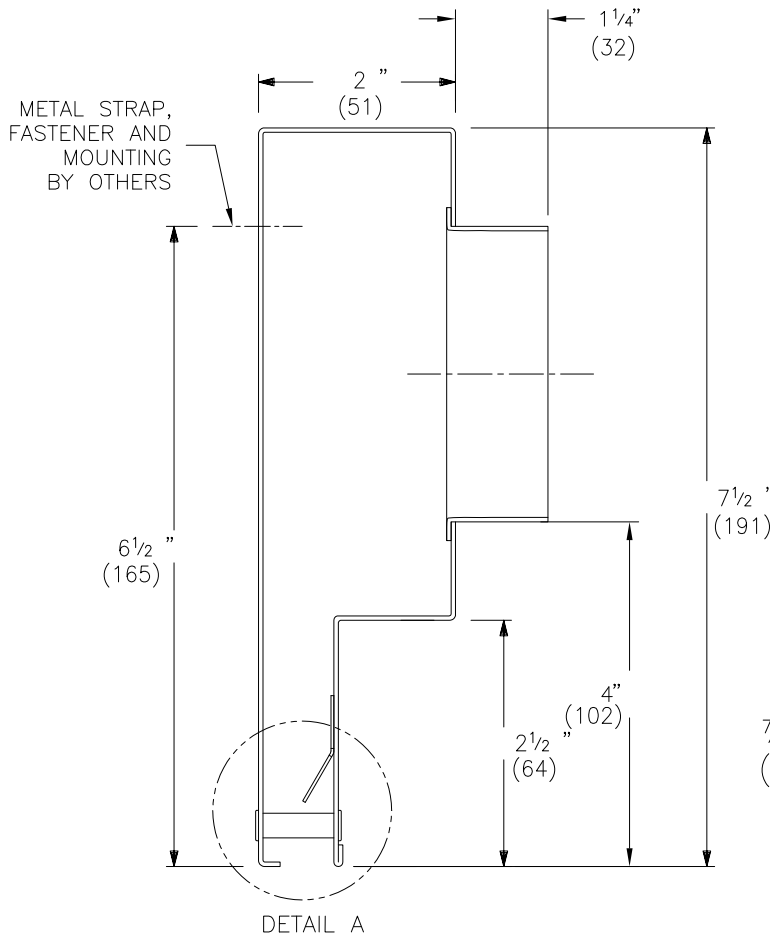
PHYSICAL DIMENSIONS OF LIGHT FIXTURE REQUIRED.



ALL METRIC DIMENSIONS () ARE SOFT CONVERTED. IMPERIAL DIMENSIONS ARE CONVERTED TO METRIC AND ROUNDED TO THE NEAREST MILLIMETER.

PROJECT:		PRICE [®]	
ENGINEER:		 223860	LTF10 LIGHT TROFFER FIXED PATTERN CONTROLLER
CUSTOMER:			
SUBMITTAL DATE:	SPEC. SYMBOL:	2014/10/01	

MODEL LTA10 LIGHT TROFFER



MODEL	• NOM. ROUND INLET SIZE	IMPERIAL UNITS		SI UNITS	
		A	C	A	C
2	5,6,7	17	16 1/4	432	413
3	5,6,7	25 1/4	24 1/2	641	622
4	5,6,7	41 3/4	41	1061	1041

NOTES:

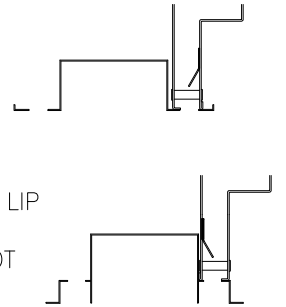
- ADJUSTABLE PATTERN CONTROLLER
- SPOT WELDED END TABS USED FOR MOUNTING
- FACTORY TOLERANCE: $\pm 1/32$ " (1)
- ROUND EQUIVALENT FOR OVAL INLET

ROUND	OVAL (3xD)	OVAL (76xD)
5	3x6	76x127
6	3x7.56	76x152
7	3x9.125	76x178

PATTERN:

STANDARD FOR USE WITH FLUSH FIXTURE

RL - REVERSE LIP FOR USE WITH REGRESSED SLOT FIXTURE



MATERIAL: COATED STEEL

OPTIONS:

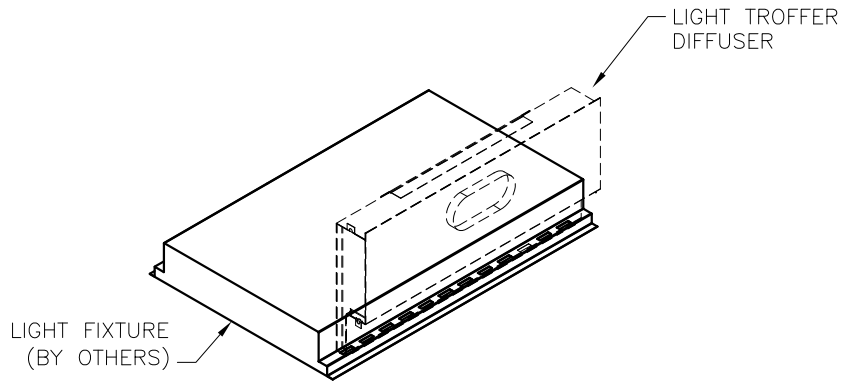
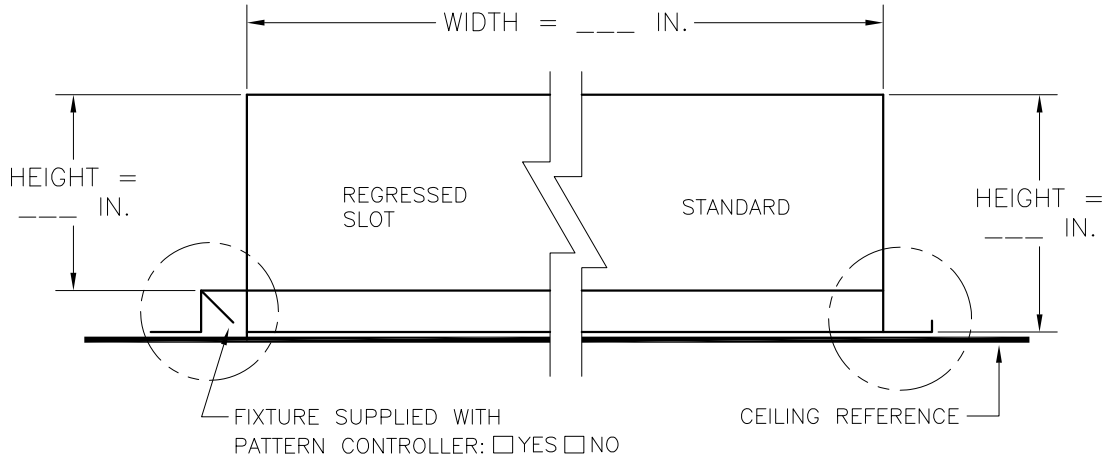
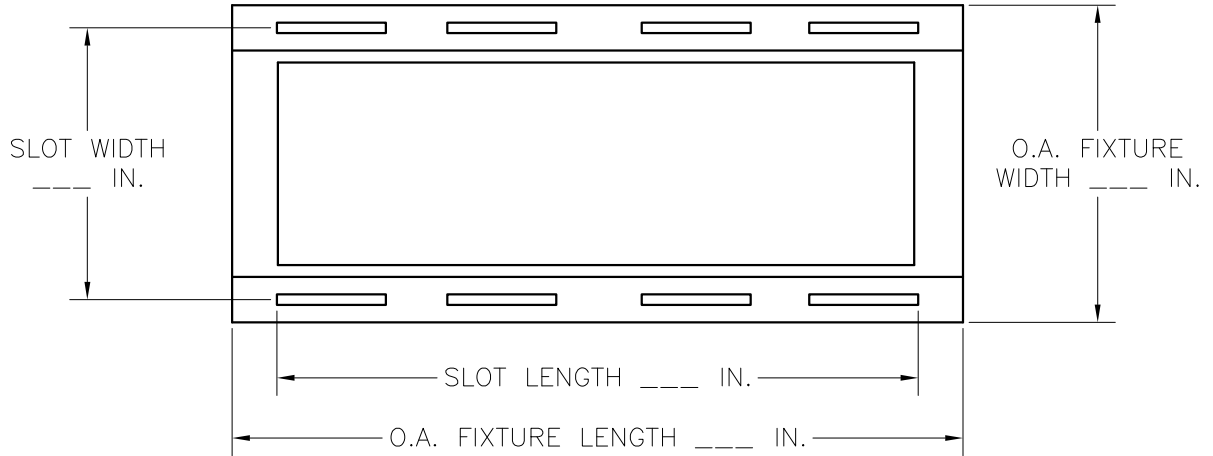
- EXTERNAL FOIL-BACKED INSULATION (AFI)
- BLACK FACE SLOT (BFS)

FINISH: MILL FINISH (STANDARD)

ALL METRIC DIMENSIONS () ARE SOFT CONVERTED. IMPERIAL DIMENSIONS ARE CONVERTED TO METRIC AND ROUNDED TO THE NEAREST MILLIMETER.

PROJECT:		PRICE [®]	
ENGINEER:		<i>MG</i>	LTA10 LIGHT TROFFER ADJUSTABLE PATTERN CONTROLLER
CUSTOMER:		223861	
SUBMITTAL DATE:	SPEC. SYMBOL:	2015/09/14	

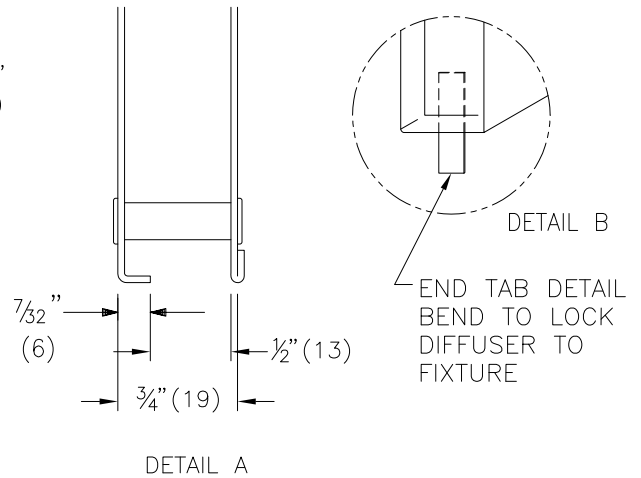
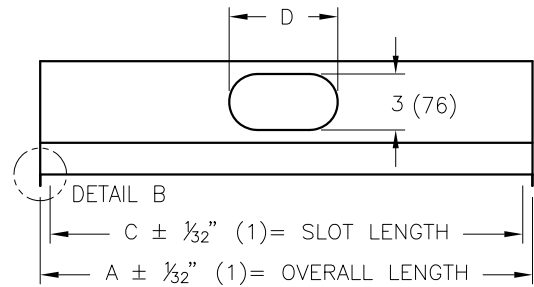
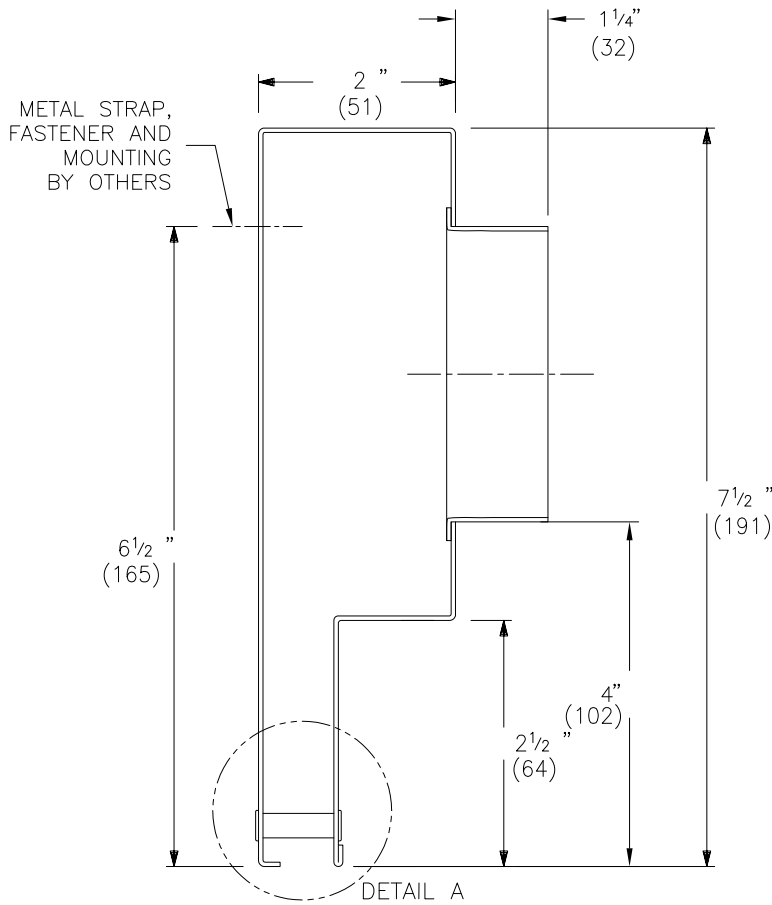
PHYSICAL DIMENSIONS OF LIGHT FIXTURE REQUIRED.



ALL METRIC DIMENSIONS () ARE SOFT CONVERTED. IMPERIAL DIMENSIONS ARE CONVERTED TO METRIC AND ROUNDED TO THE NEAREST MILLIMETER.

PROJECT:		PRICE [®]	
ENGINEER:		<i>MG</i>	LTA10 LIGHT TROFFER ADJUSTABLE PATTERN CONTROLLER
CUSTOMER:		223861	
SUBMITTAL DATE:	SPEC. SYMBOL:	2015/09/14	

MODEL LTN10 LIGHT TROFFER



MODEL	• NOM. ROUND INLET SIZE	IMPERIAL UNITS		SI UNITS	
		A	C	A	C
2	5,6,7	17	16 1/4	432	413
3	5,6,7	25 1/4	24 1/2	641	622
4	5,6,7	41 3/4	41	1061	1041

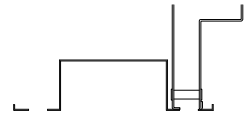
NOTES:

- SPOT WELDED END TABS USED FOR MOUNTING
- ROUND EQUIVALENT FOR OVAL INLET
- FACTORY TOLERANCE: $\pm 1/32$ " (1)

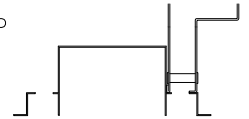
ROUND	OVAL (3xD)	OVAL (76xD)
5	3x6	76x127
6	3x7.56	76x152
7	3x9.125	76x178

PATTERN:

STANDARD FOR USE WITH FLUSH FIXTURE



RL – REVERSE LIP FOR USE WITH REGRESSED SLOT FIXTURE



MATERIAL: COATED STEEL

OPTIONS:

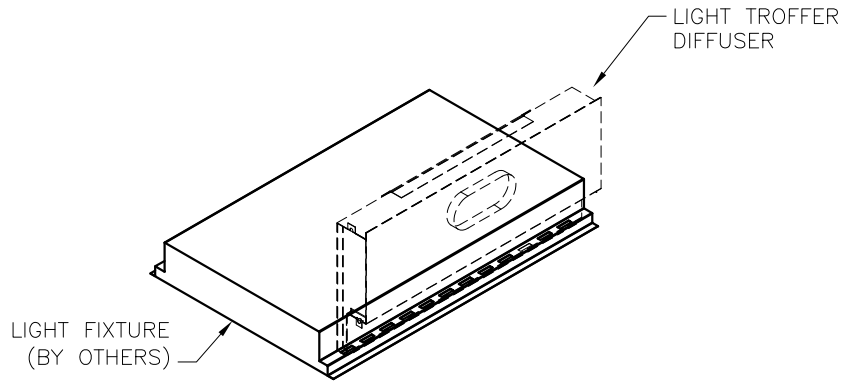
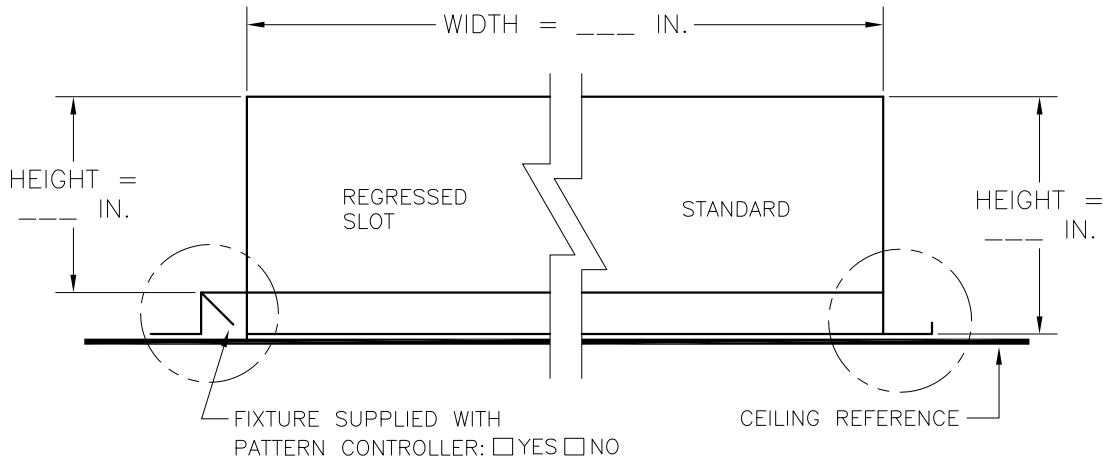
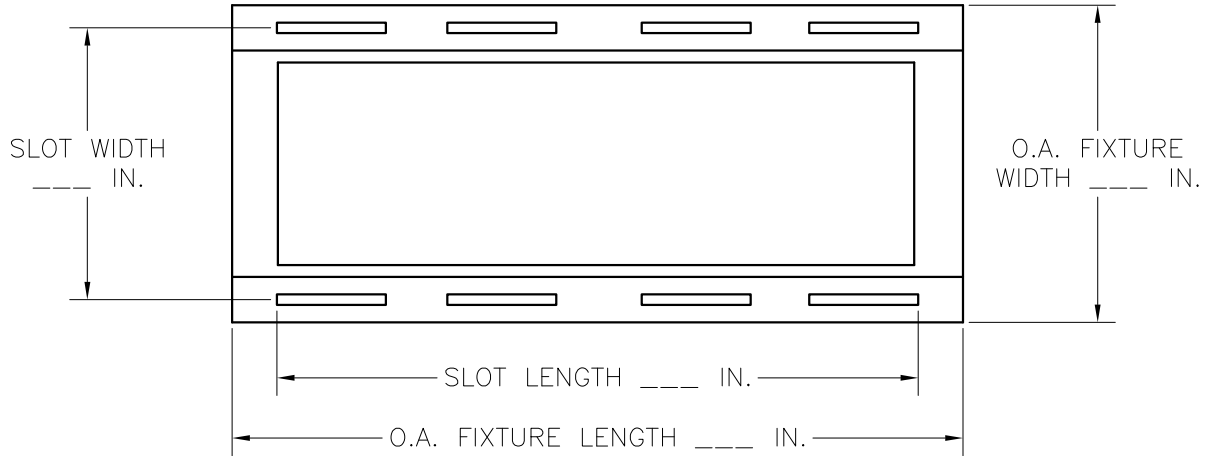
- EXTERNAL FOIL-BACKED INSULATION (AFI)
- BLACK FACE SLOT (BFS)

FINISH: MILL FINISH (STANDARD)

ALL METRIC DIMENSIONS () ARE SOFT CONVERTED. IMPERIAL DIMENSIONS ARE CONVERTED TO METRIC AND ROUNDED TO THE NEAREST MILLIMETER.

PROJECT:		PRICE [®]	
ENGINEER:		<i>MG</i>	LTN10 LIGHT TROFFER W/O PATTERN CONTROLLER
CUSTOMER:		223862	
SUBMITTAL DATE:	SPEC. SYMBOL:	2015/09/14	

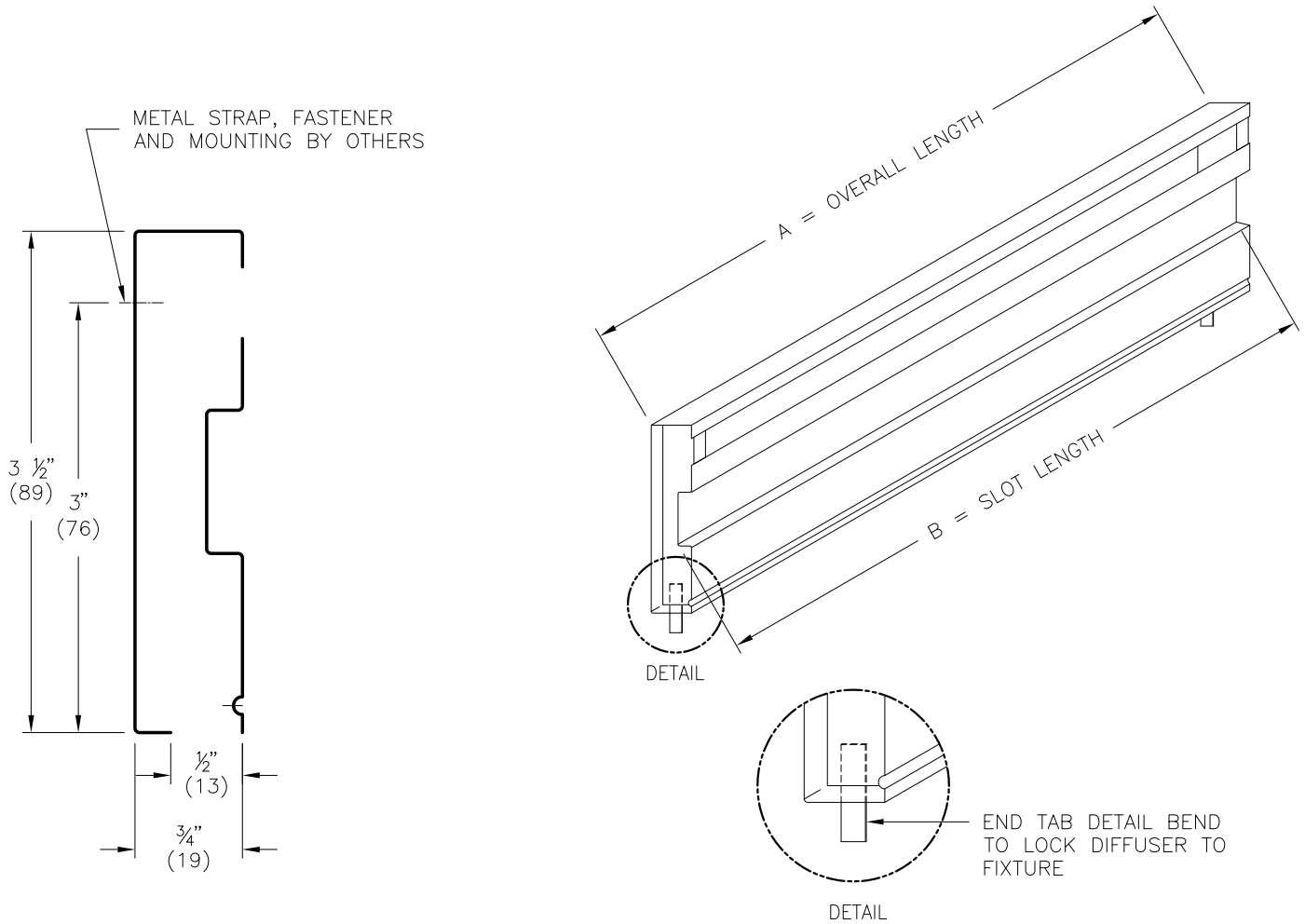
PHYSICAL DIMENSIONS OF LIGHT FIXTURE REQUIRED.



ALL METRIC DIMENSIONS () ARE SOFT CONVERTED. IMPERIAL DIMENSIONS ARE CONVERTED TO METRIC AND ROUNDED TO THE NEAREST MILLIMETER.

PROJECT:		PRICE [®]	
ENGINEER:		<i>MG</i>	LTN10 LIGHT TROFFER W/O PATTERN CONTROLLER
CUSTOMER:		223862	
SUBMITTAL DATE:	SPEC. SYMBOL:	2015/09/14	

LTR RETURN AIR TROFFER



NOTES:

- END TABS ARE STANDARD

FINISH:

- MILL FINISH (STANDARD)
- ☐ BLACK FACED SLOT SPECIFY BFS

MATERIAL:

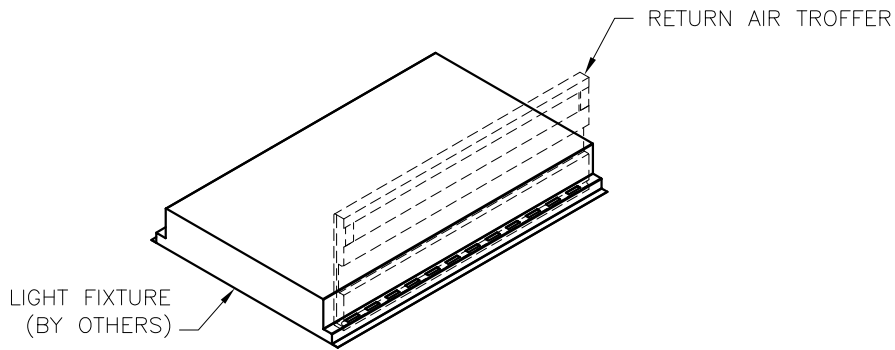
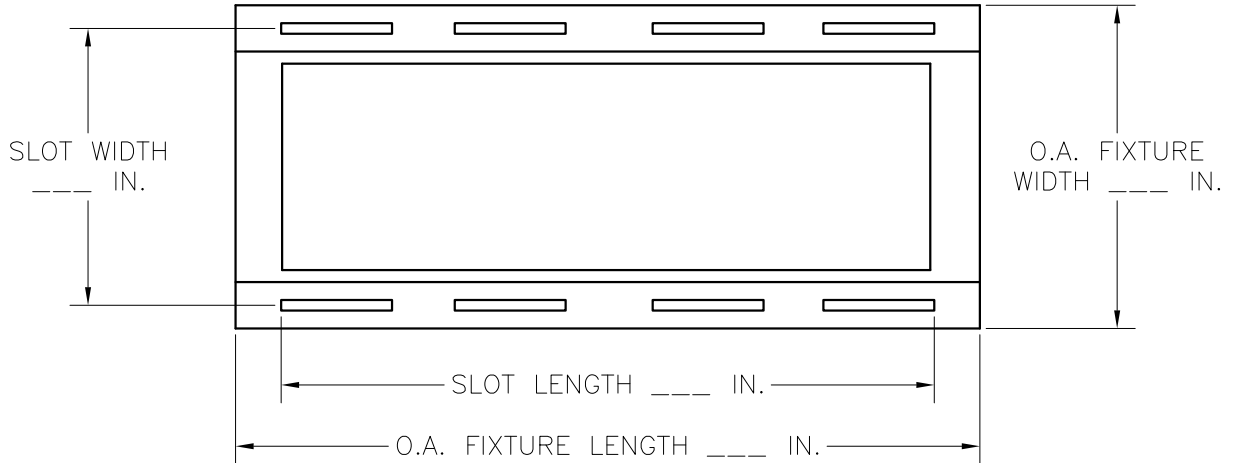
- COATED STEEL

MODEL	NOM. LENGTH	A	B
LTR-2	24" (610)	17" (432)	16 1/4" (413)
LTR-3	36" (914)	25 1/4" (641)	24 1/2" (622)
LTR-4	48" (1219)	41 3/4" (1060)	41" (1041)

ALL METRIC DIMENSIONS () ARE SOFT CONVERTED. IMPERIAL DIMENSIONS ARE CONVERTED TO METRIC AND ROUNDED TO THE NEAREST MILLIMETER.

PROJECT:		PRICE [®]	
ENGINEER:		<i>MQ</i>	LTR RETURN AIR TROFFER
CUSTOMER:		222043	
SUBMITTAL DATE:	SPEC. SYMBOL:	2014/10/01	

PHYSICAL DIMENSIONS OF LIGHT FIXTURE REQUIRED.



ALL METRIC DIMENSIONS () ARE SOFT CONVERTED. IMPERIAL DIMENSIONS ARE CONVERTED TO METRIC AND ROUNDED TO THE NEAREST MILLIMETER.

PROJECT:		PRICE [®]	
ENGINEER:		<i>MJ</i>	LTR
CUSTOMER:		222043	RETURN AIR TROFFER
SUBMITTAL DATE:	SPEC. SYMBOL:	2014/10/01	REV D